

Screen printing press STANDARD PARTS



1. DIN 912 Screws

- 1.1. M6x10mm (*8)
- 1.2. M6x16mm (*6)
- 1.3. M6x20mm (*17)
- 1.4. M6x30mm (*2)
- 1.5. M6x40mm (*2)
- 1.6. M6x90mm (*1)
- 1.7. M6x100mm (*4)
- 1.8. M4x25mm (*6)

2. Wooden Screws

- 2.1. 4.5x40mm (*4)

3. Washers

- 3.1. M4x9mm (*12)
- 3.2. M6x18mm (*16)
- 3.3. M6x30mm (*8)

4. Nuts

- 4.1. M4 (*6)
- 4.2. M6 (*3)
- 4.3. M8 (*2)
- 4.4. Cap nut M6 (*5)
- 4.5. Rectangular nut M6 (*16)
- 4.6. Eye-nut M6 (*4)
- 4.7. Guided sliding nut (*4)

5. Aluminium profile

- 5.1. 30x60x160mm (*1)
- 5.2. 30x60x590mm (*1)

6. Bearing 6x19x6mm (*2)

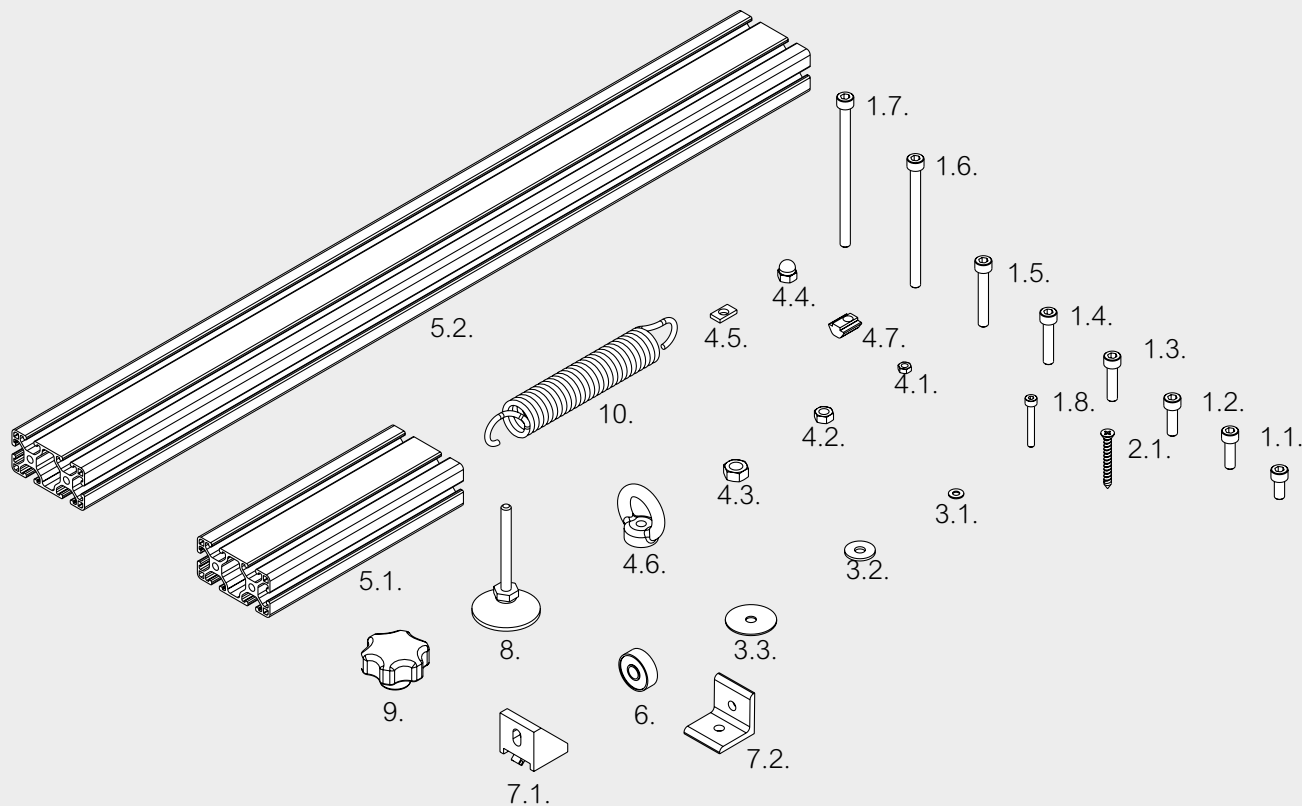
7. Angle bracket

- 7.1. Reinforced bracket 28x28x28mm (*2)
- 7.2. Normal bracket (*2)

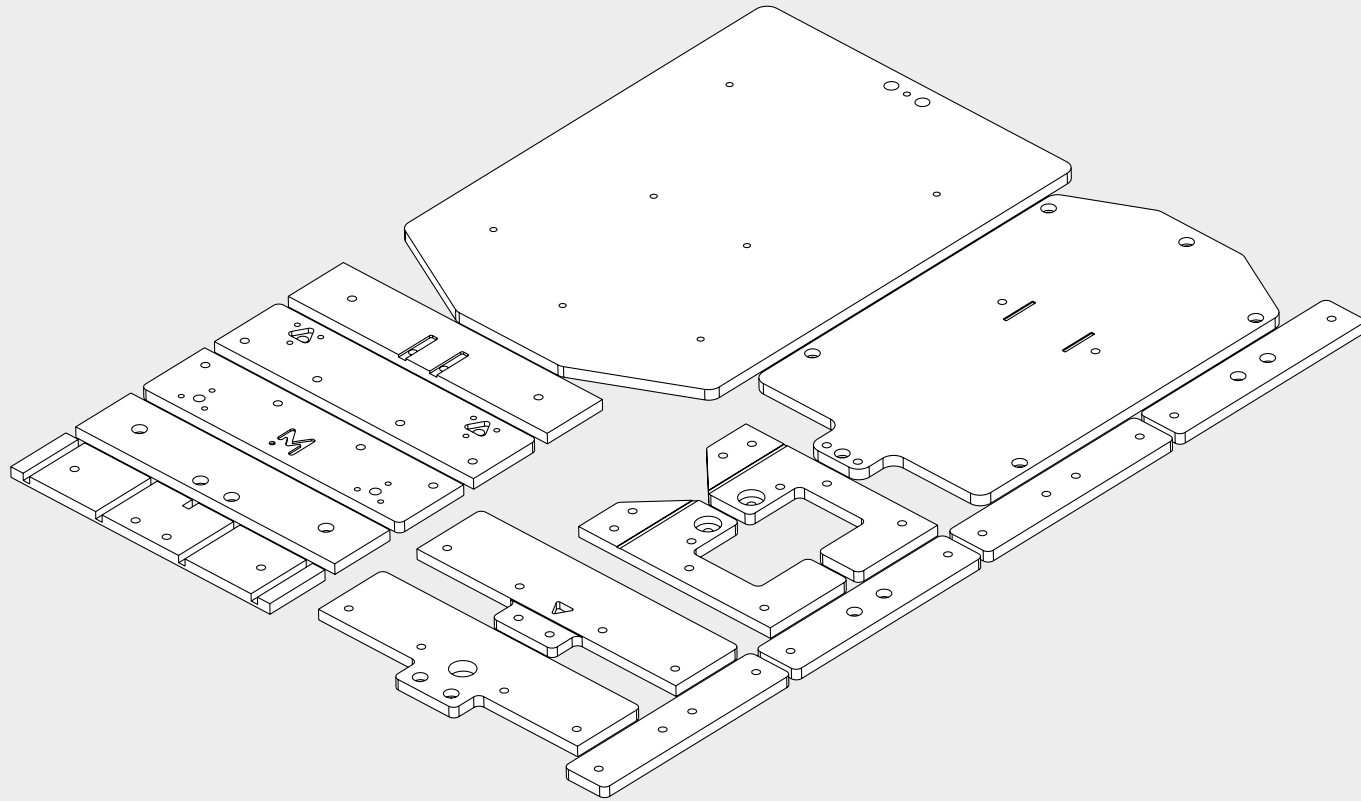
8. Foot 8x60x40mm (*2)

9. Handle M8x12mm (*2)

10. Spring 140mm (*2)



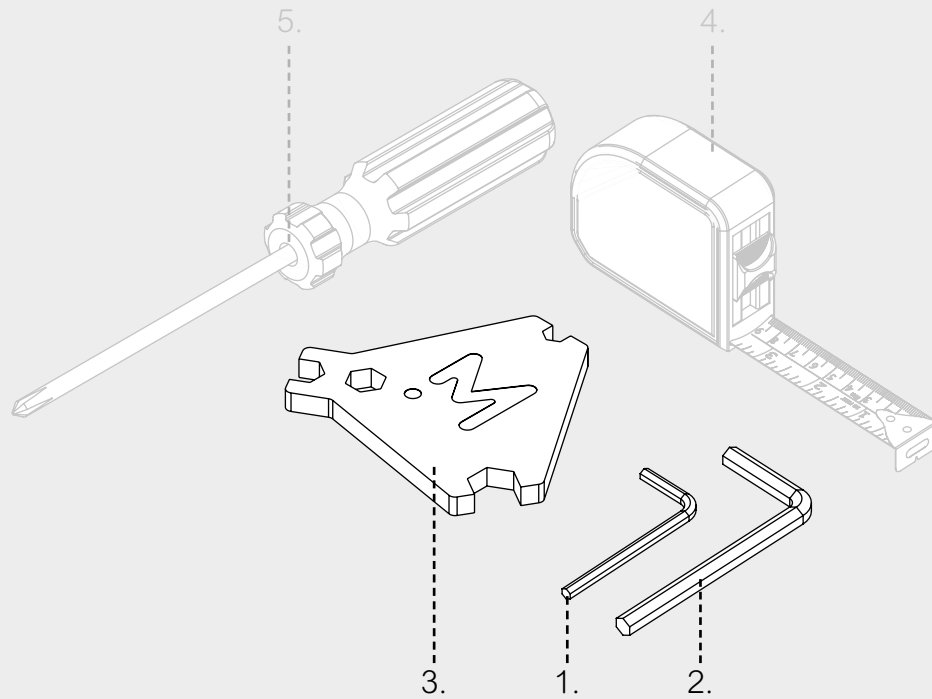
Screen printing press
SPECIFIC PARTS



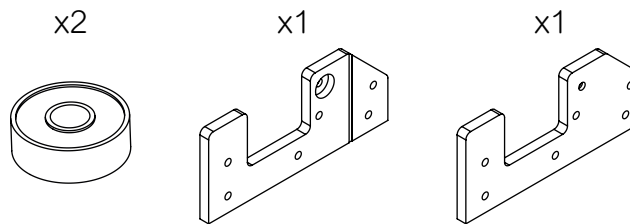
Screen printing press

TOOLS NEEDED

1. Hex key 3mm (INCLUDED)
2. Hex Key 5 mm (INCLUDED)
3. Multi Tool M4/M6/M8 (INCLUDED)
4. Measure tape or ruller (NOT INCLUDED)
5. Cross-head Screwdriver (NOT INCLUDED)

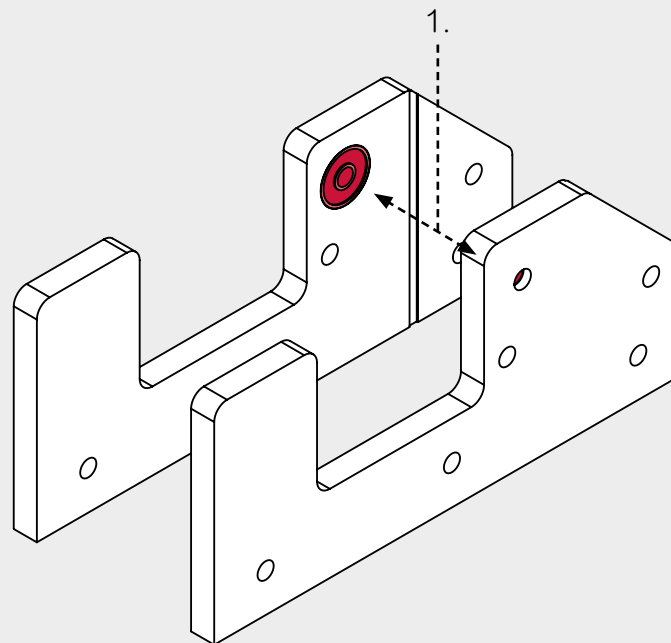


Screen printing press BASE



STEP #01

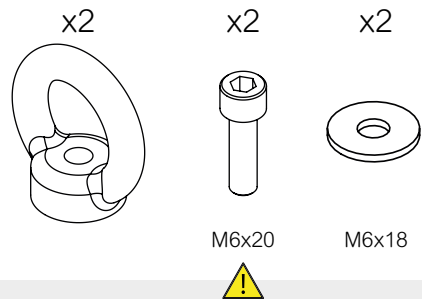
1. Insert the two bearings inside the holes (it is supposed to be tight and hold in place)



Screen printing press BASE

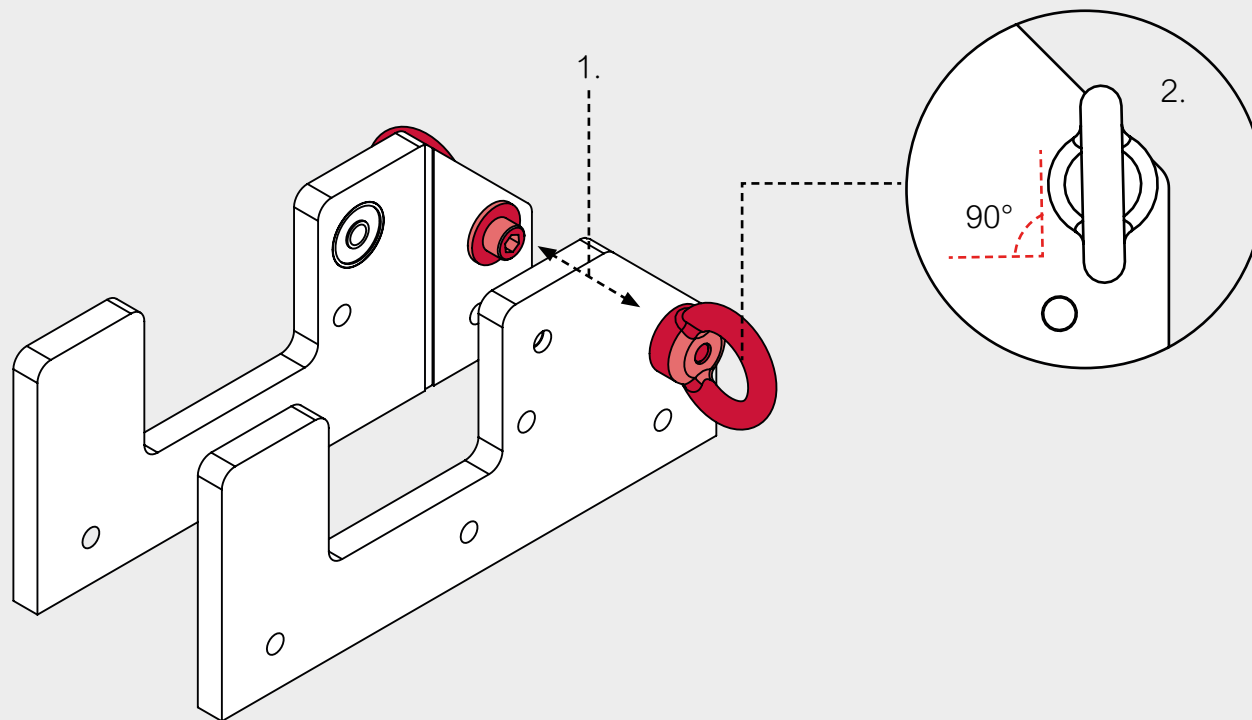


5mm



STEP #02

1. Strongly tighten the screws, they will support the tension of the springs
2. Place the eye nuts with a 90° angle (it will help you with the springs later)



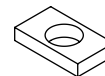
Screen printing press BASE



x6

x6

x6



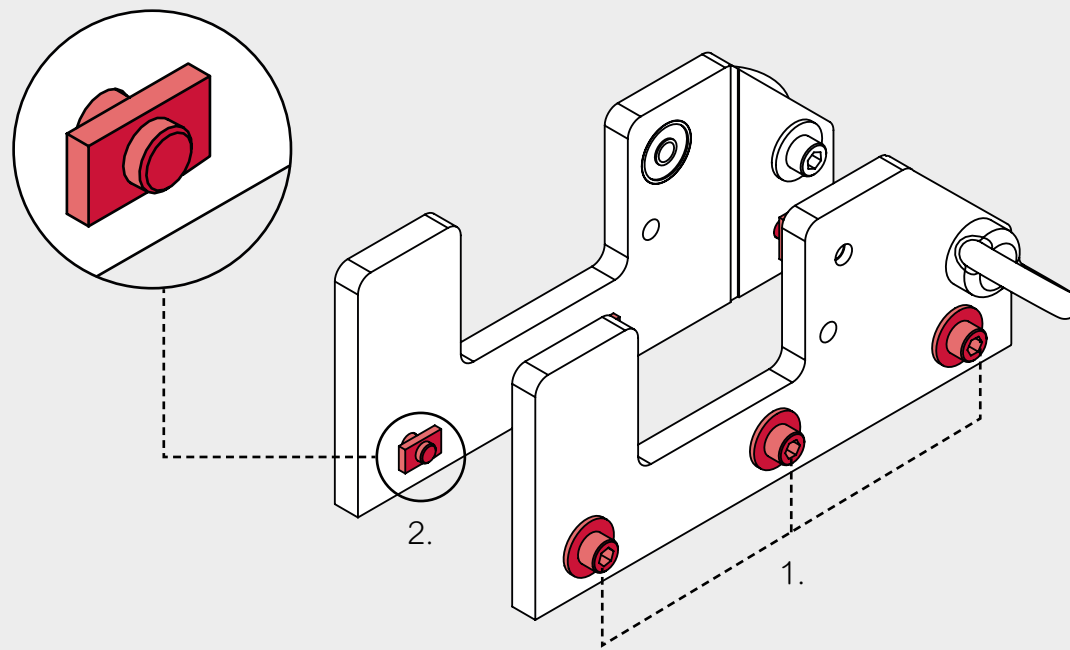
M6x20

M6x18



STEP #03

1. Place the screws and washers inside their holes on both sides
2. Screw all the rectangular nuts but do not tighten them now (you will slide them into the aluminium rail during the next step)

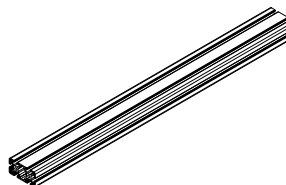


Screen printing press BASE



5mm

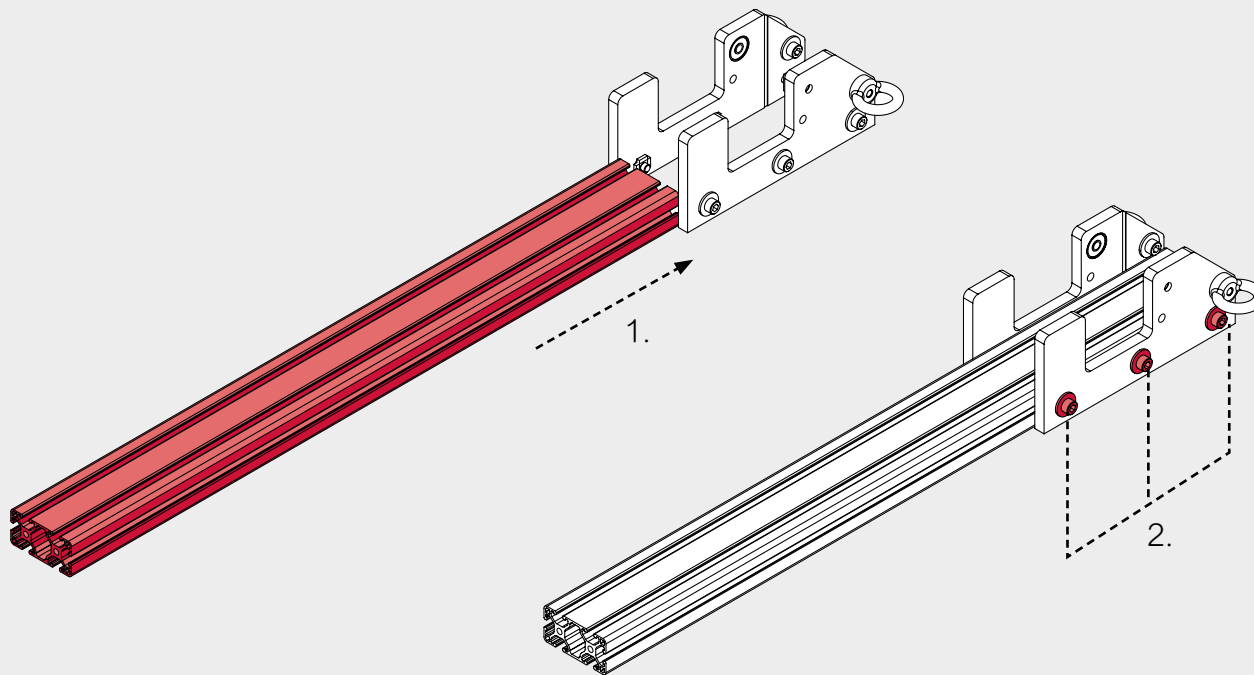
x1



30x60x590

STEP #04

1. Slide the aluminium rail and make sure all the rectangular nuts fit the aluminium slot
2. Do not fully tighten the screws now (STEP#22)



Screen printing press BASE



5mm

x1



M6x90



x4



M6x18

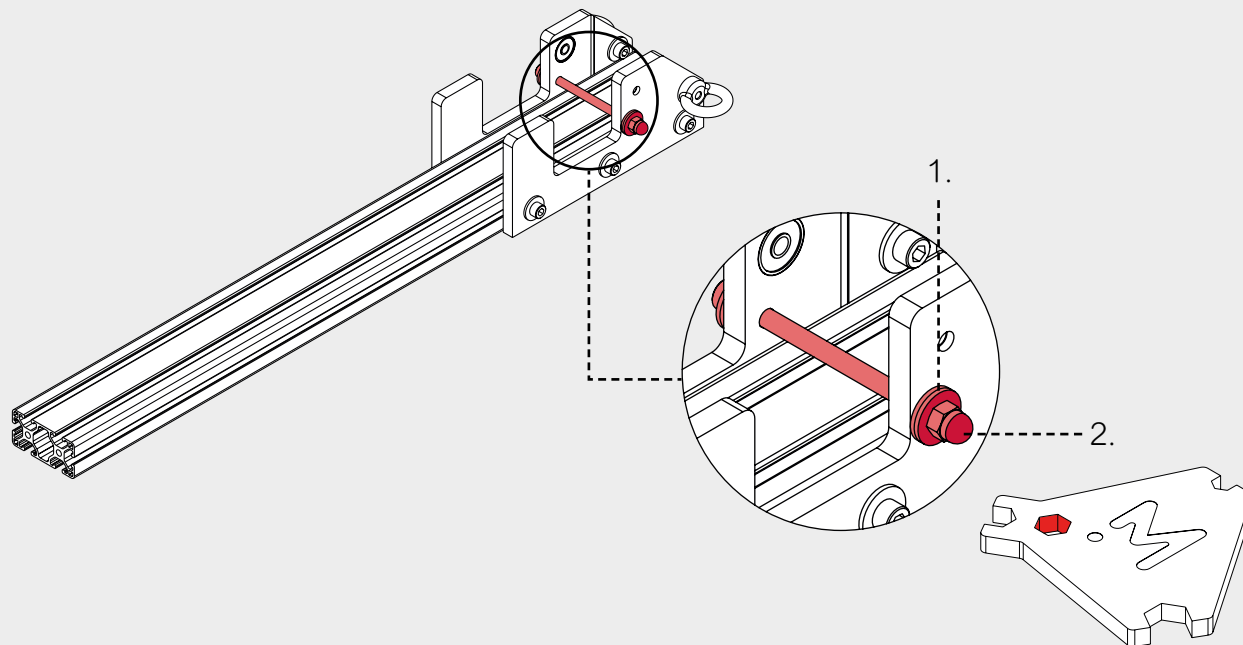
x1



STEP #05

1. Place the M6x90 screw and use two washers on each side
2. Screw the cap nut

*Use the 5mm Hex key to tight the screw and the multi tool to hold the cap nut



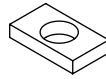
Screen printing press BASE



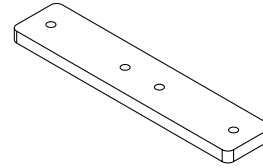
x4



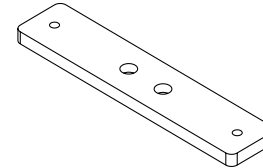
x4



x2



x2

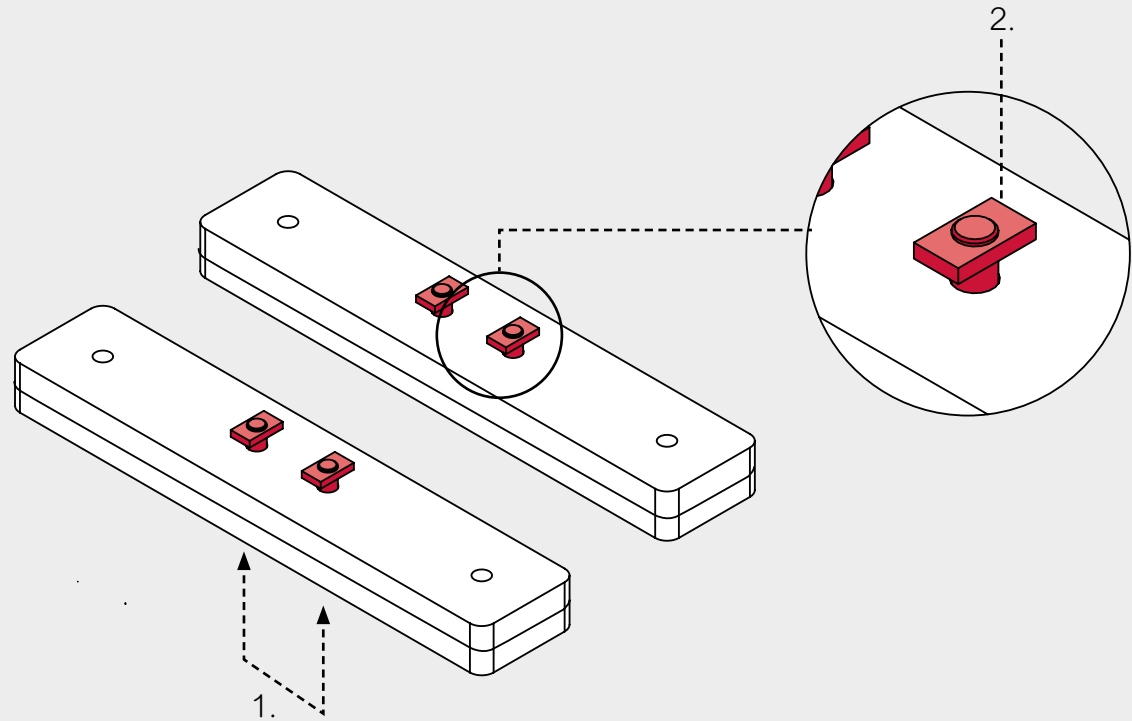
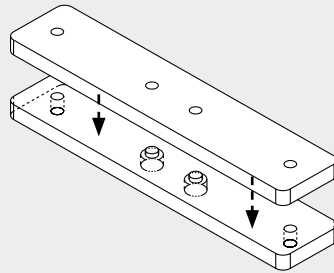


M6x20



STEP #06

1. Place the screws in the holes
2. Screw all the rectangular nuts but do not tight them (you will slide them)

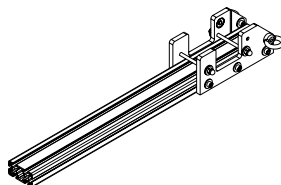


Screen printing press BASE

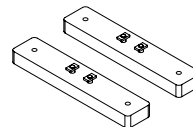


5mm

STEP #05

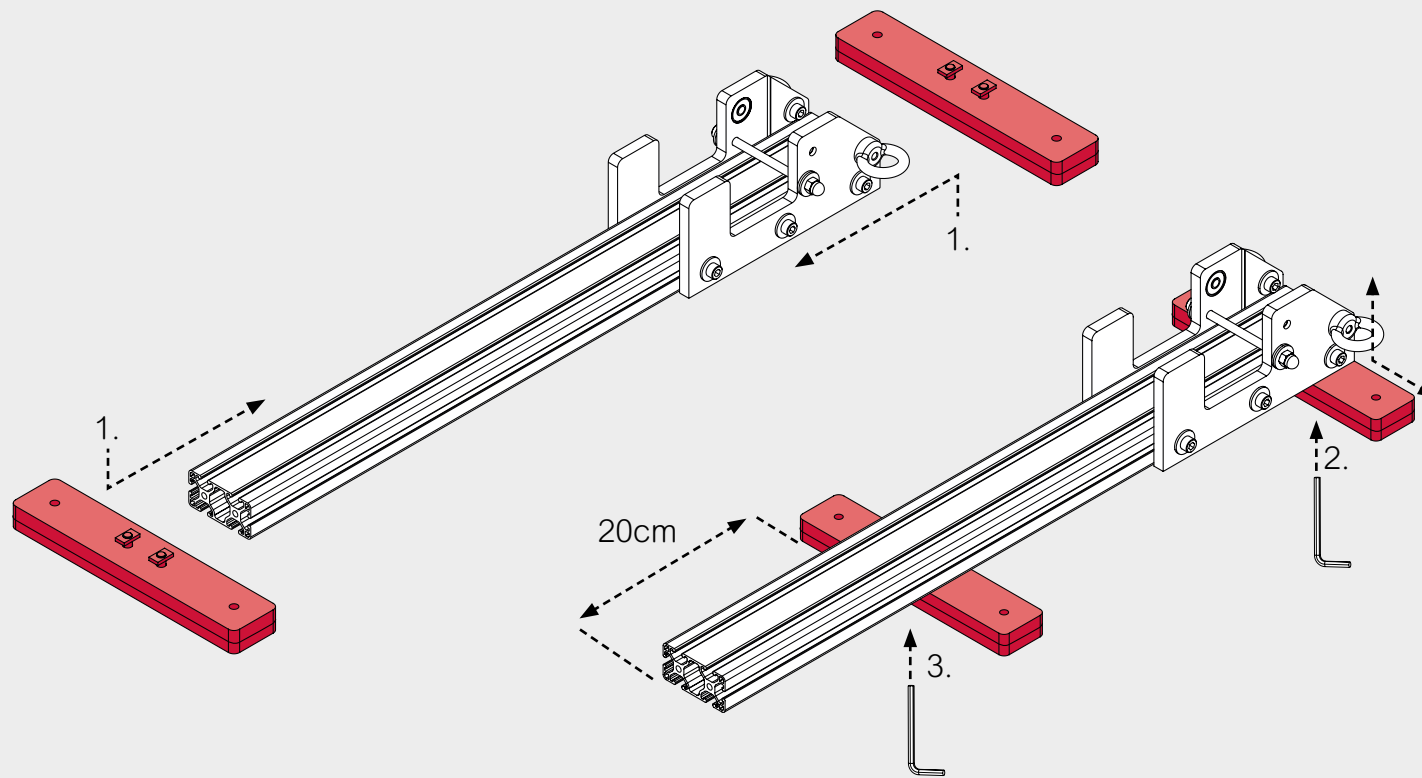


STEP #06



STEP #07

1. Slide the parts in the aluminium rail and make sure all the rectangular nuts fit the aluminium slot
2. Tighten the screws when both the specific part are aligned like shown on the sketch
3. Tighten the screws when the side of the specific part is approximately 20cm from the edge of the aluminium rail



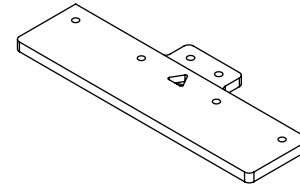
x1



M6



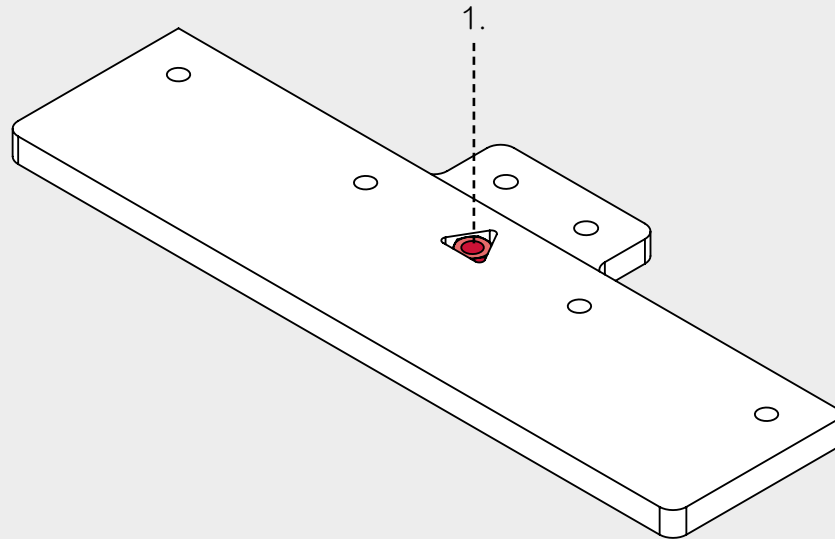
x1



STEP #08

1. Simply place the M6 nut inside the triangular pocket

TIP/ Use a M6 screw to insert the nuts easily.



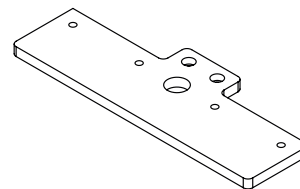
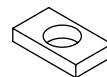
Screen printing press ARM



x2

x2

x1

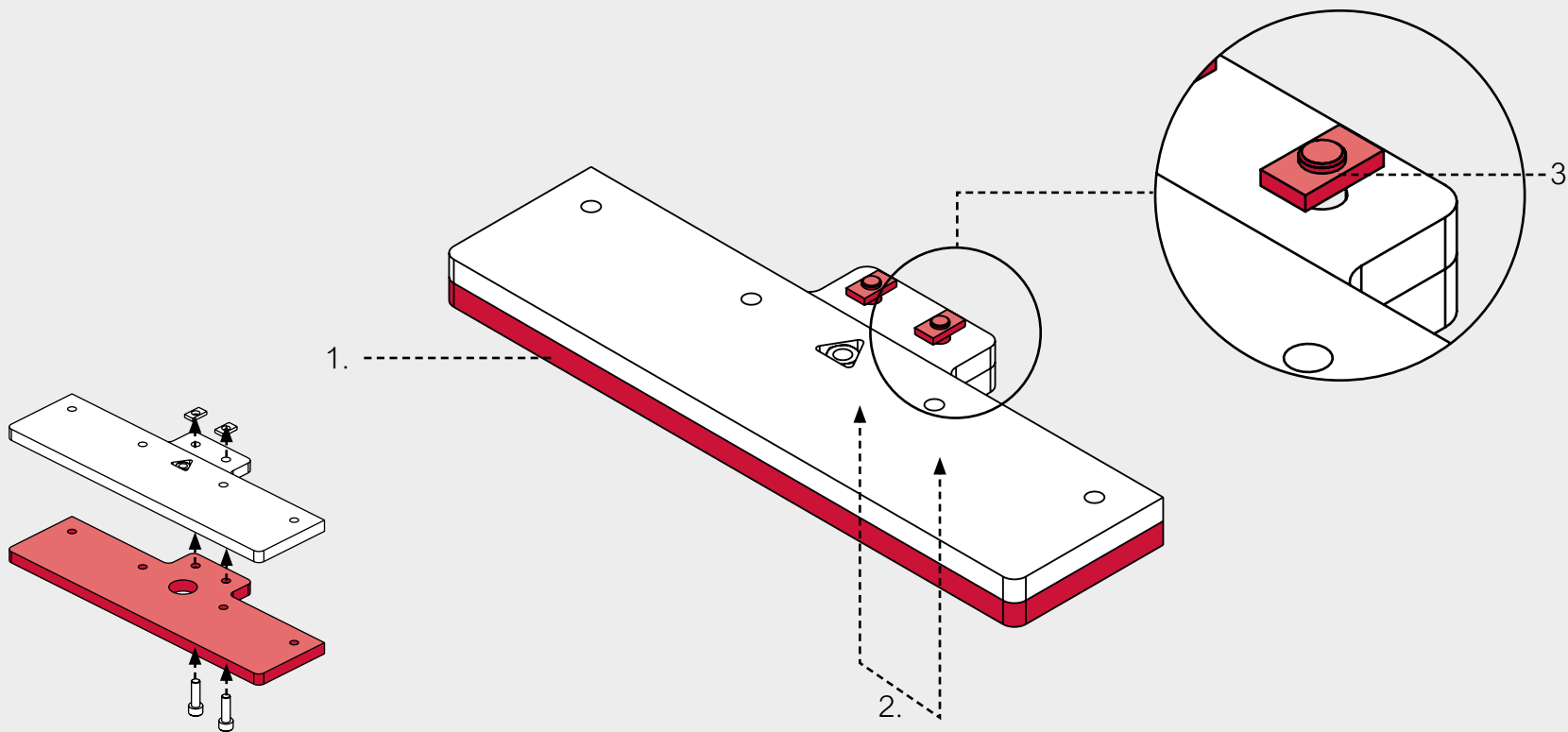


M6x16



STEP #09

1. Place the specific part underneath the other one
2. Place the two screws in the holes
3. Screw the two rectangular nuts but do not tight them (you will slide them again).

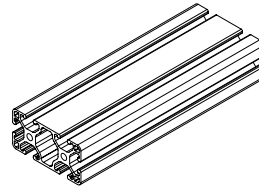


Screen printing press ARM



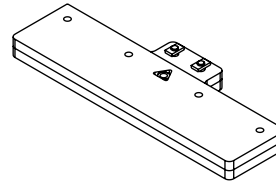
5mm

x1



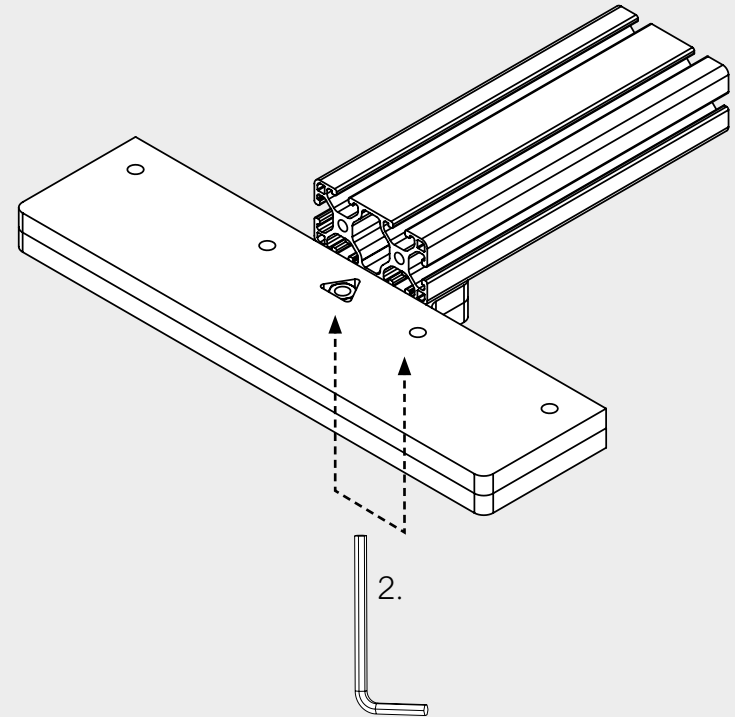
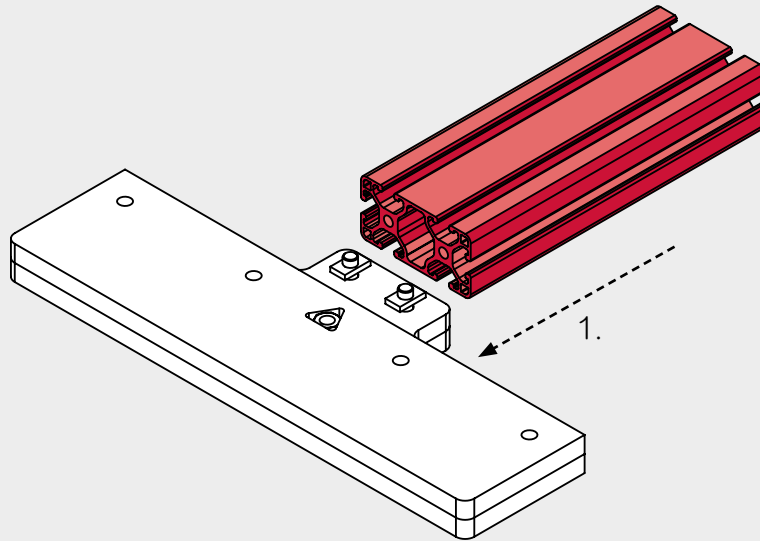
30x60x160

STEP #09

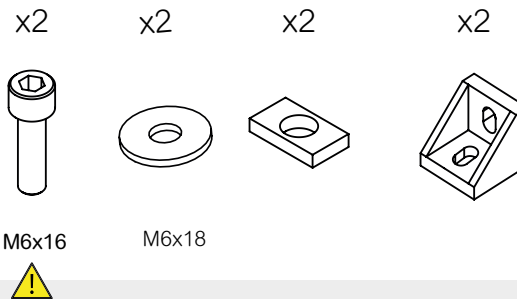


STEP #10

1. Slide the aluminium rail as shown
2. Tight the two screws

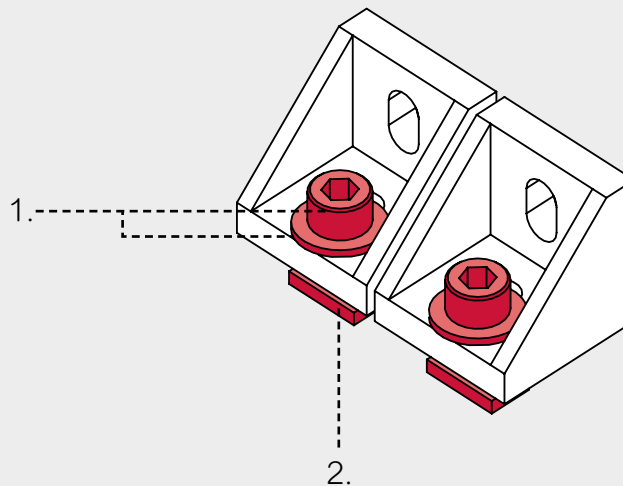


Screen printing press ARM



STEP #11

1. Place the screws and washers inside the angle brackets holes
2. Screw the rectangular nuts but do not tight them. (sliding move again)

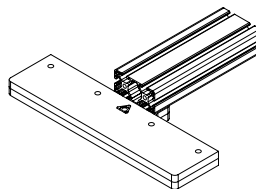


Screen printing press ARM

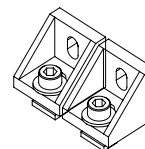


5mm

STEP #10

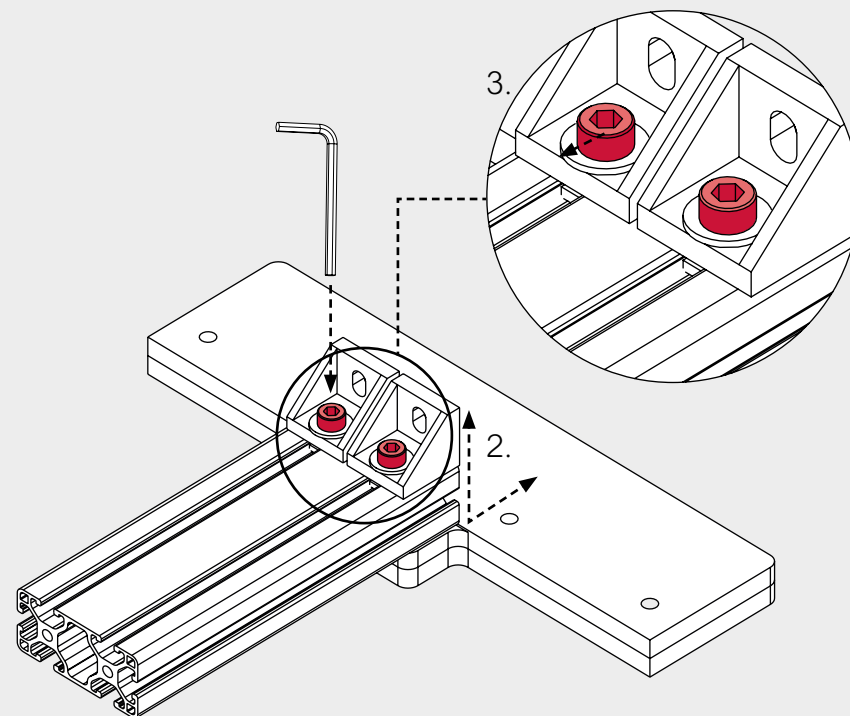
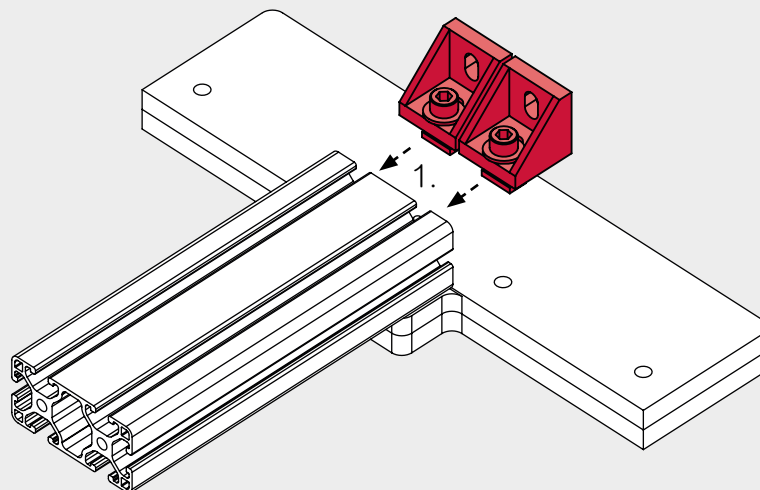


STEP #11



STEP #12

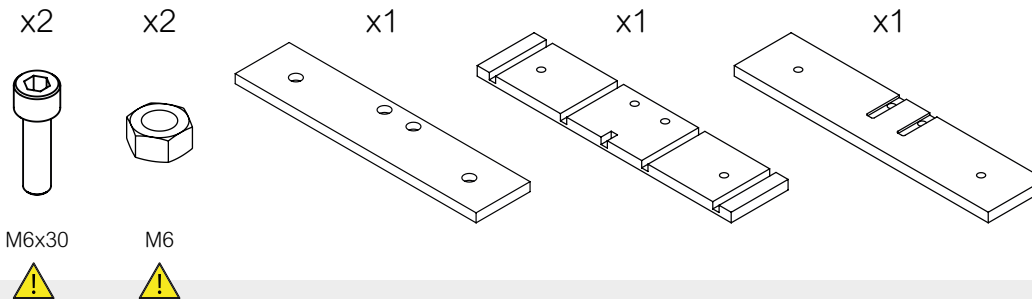
1. Slide the two angle brackets with their screws into the aluminium rails
2. Tighten the two screws once the faces of the angle bracket are aligned with the face of the rail
3. Make sure the screws are tightened at the border of the angle brackets



Screen printing press ARM



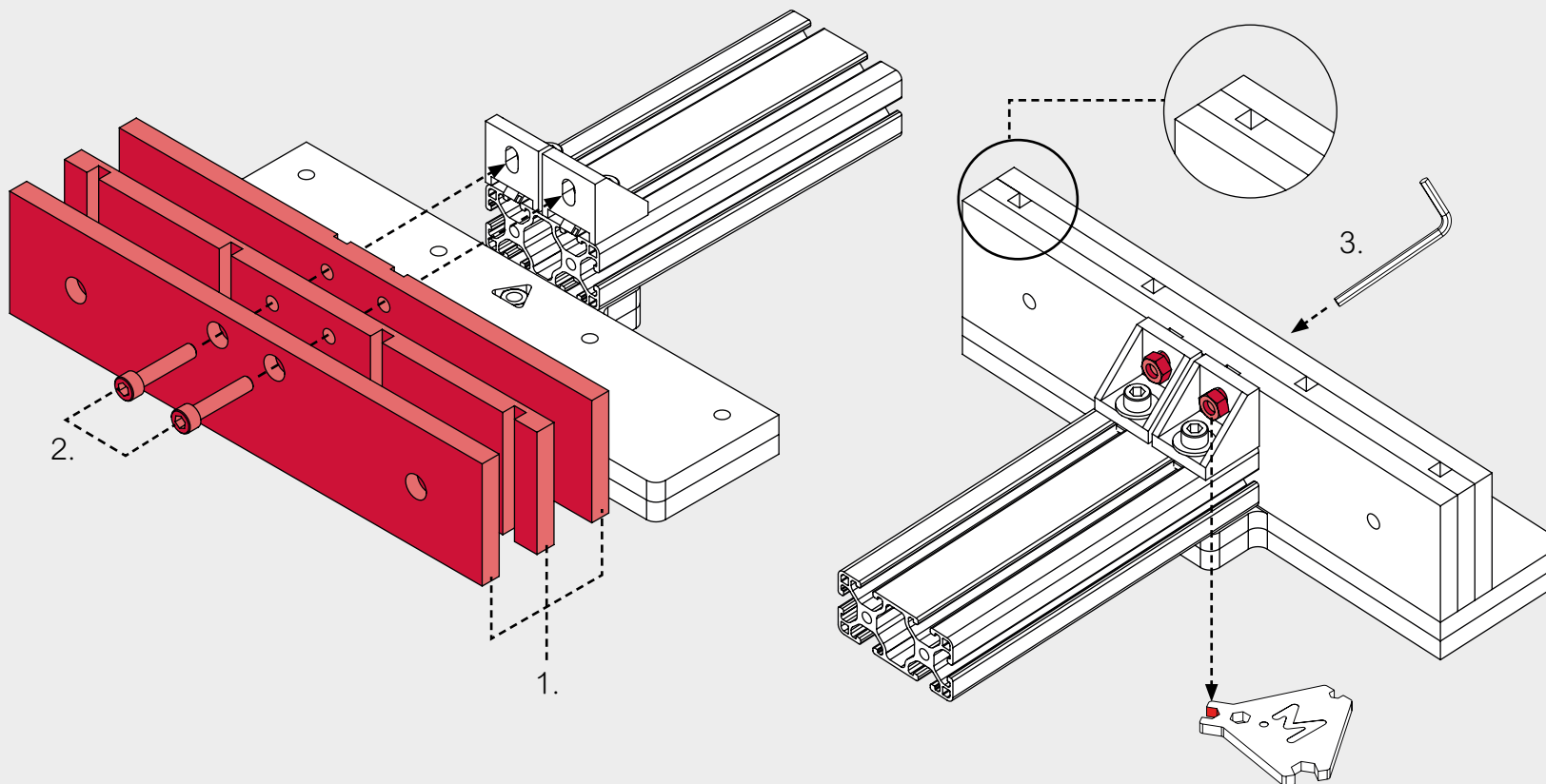
5mm

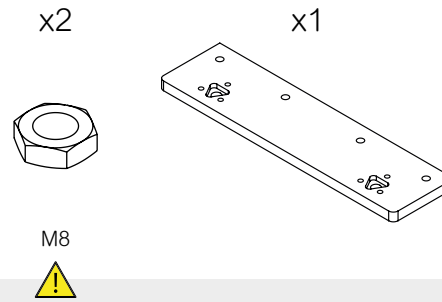


STEP #13

1. Place the three parts in the right position
2. Place the screws
3. Tight the nuts

*Use the 5mm Hex key to tight the screw and the multi tool to hold the nut

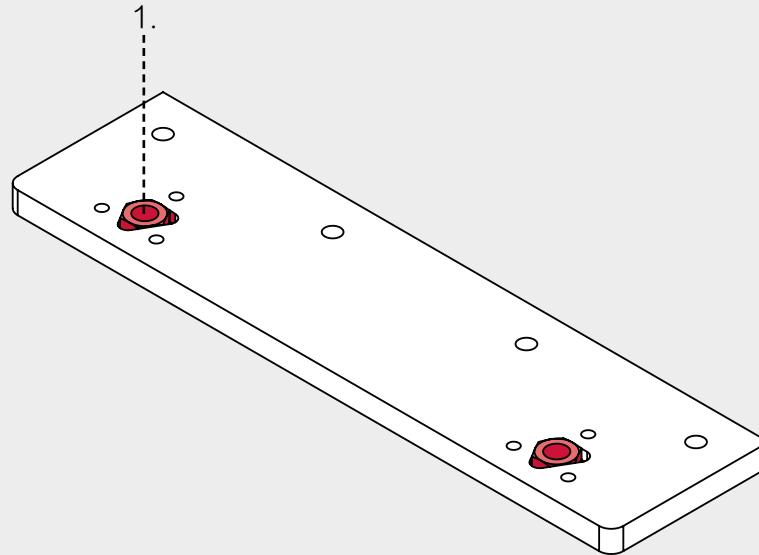




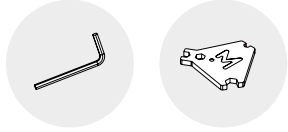
STEP #14

1. Place the two M8 nuts as shown

TIP/ Use a M8 Foot to insert the nuts easily.



Screen printing press ARM



3mm

x6



M4x25



x6



M4

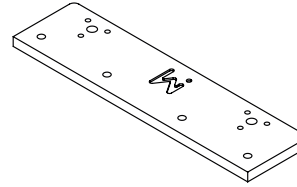


x12



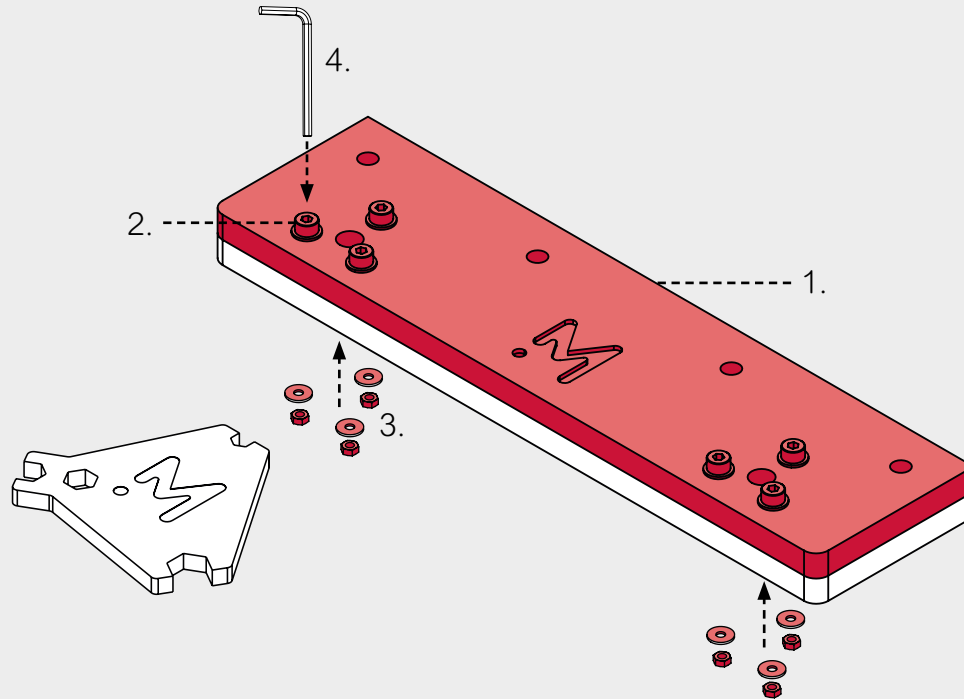
M4x9

x1

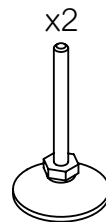


STEP #15

1. Place the "M part" over the previous one
2. Place the six M4 screws and washers in the holes
3. Place the six washers left underneath
4. Tighten the nuts with the 3mm Hex key and the multitool

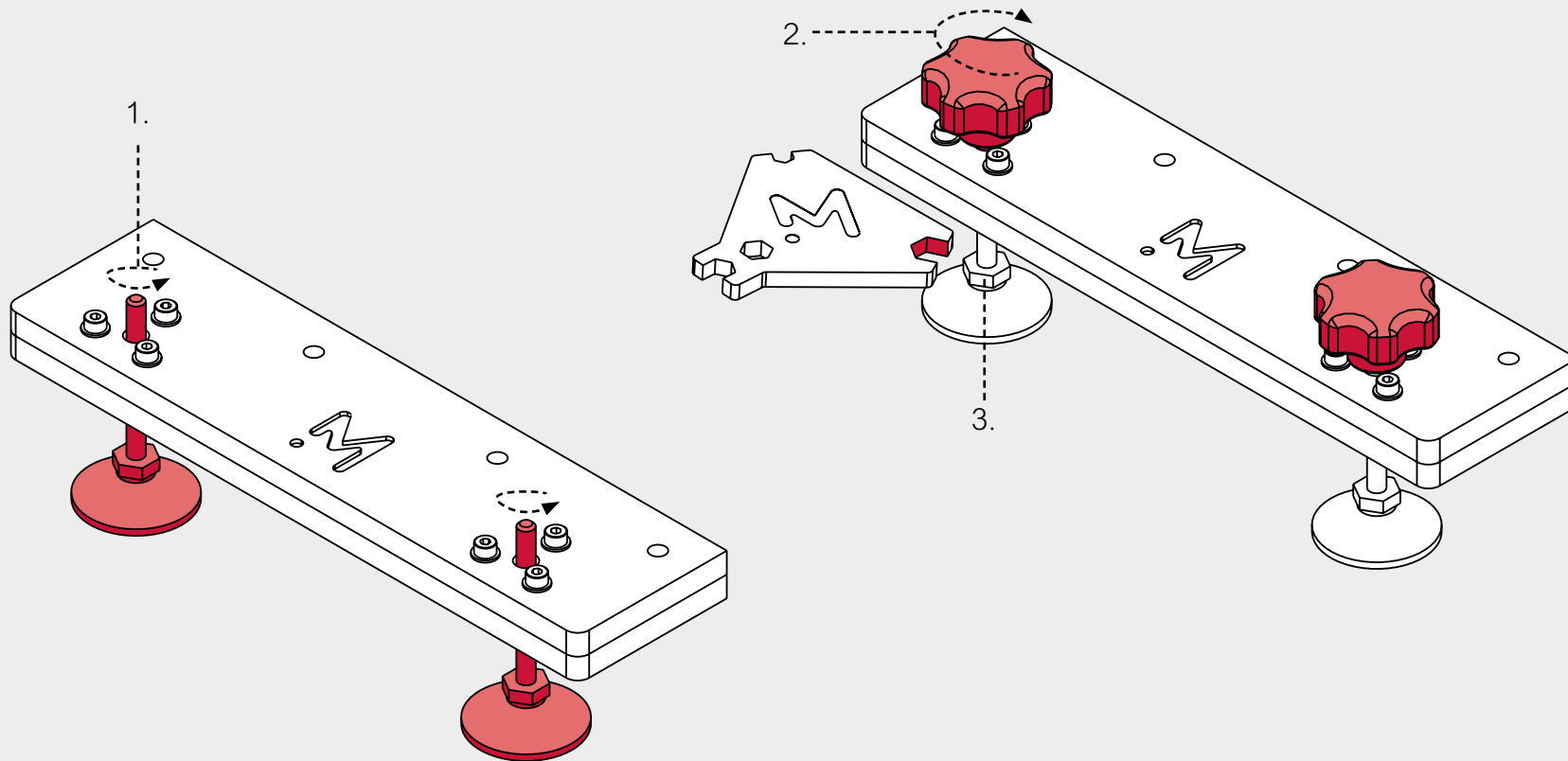


Screen printing press ARM



STEP #16

1. Screw the two feet in the M8 nuts
2. Screw the handle manually
3. Tighten the handles firmly, hold the handle with one hand and screw the bolt with the multitool

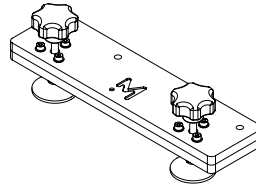


Screen printing press ARM



5mm

STEP#16



x4



M6x100

x4

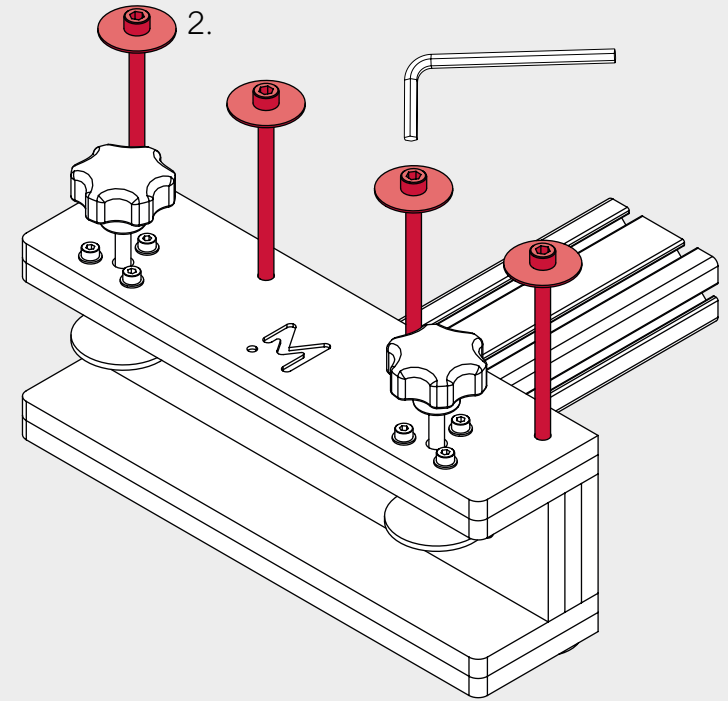
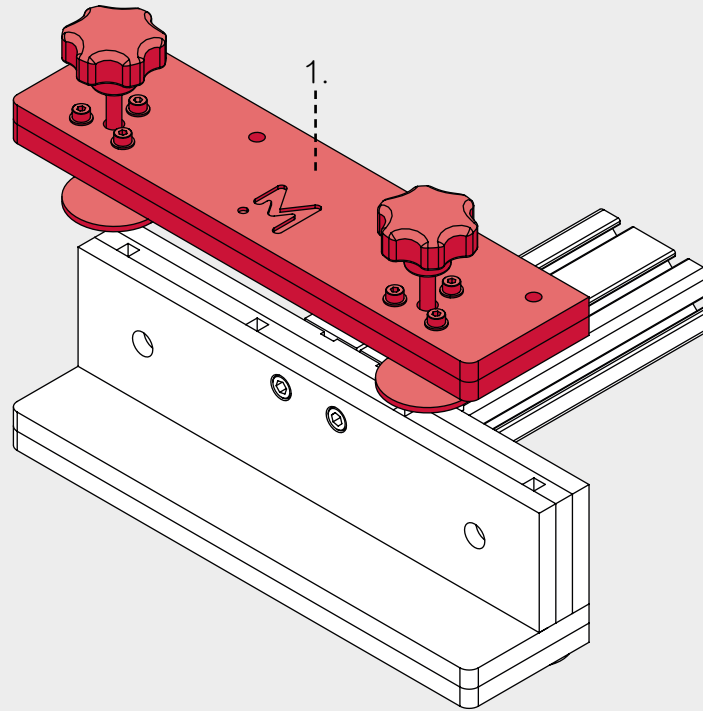


M6x30

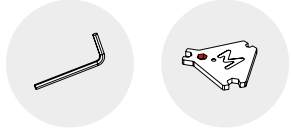


STEP #17

1. Place the assembled STEP#16 over the premounted STEP#13
2. Place the four M6x100 screws in the holes. Do not forget the washers

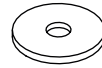


Screen printing press ARM



5mm

x4



M6x30

x4



x1

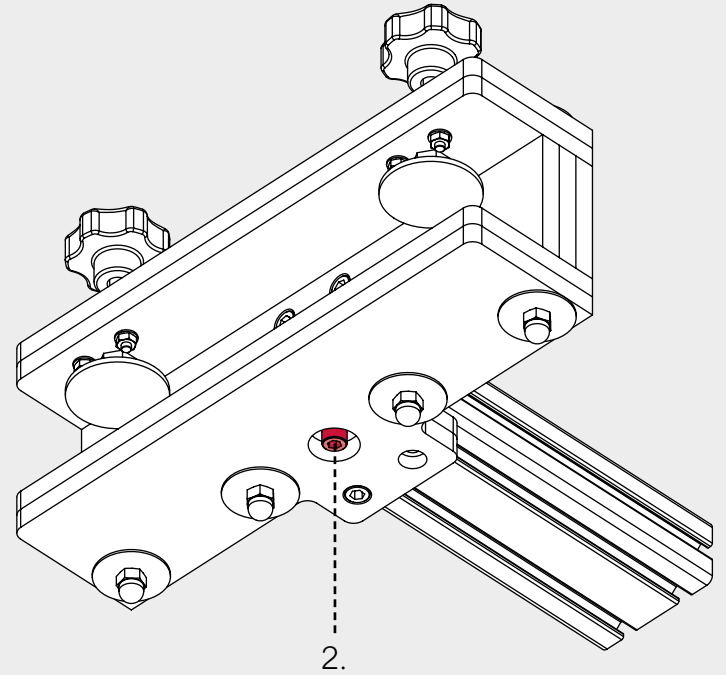
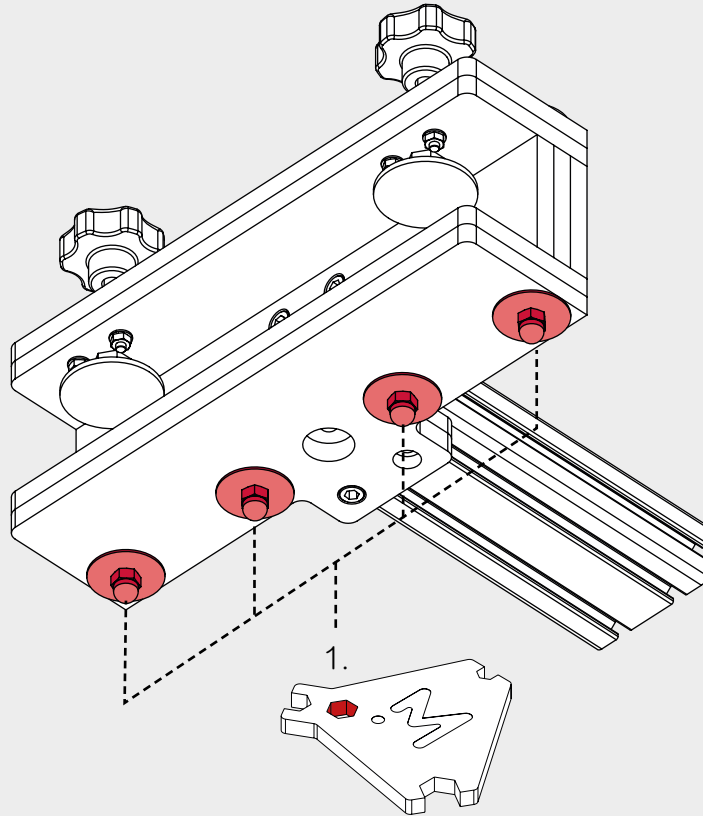


M6x20



STEP #18

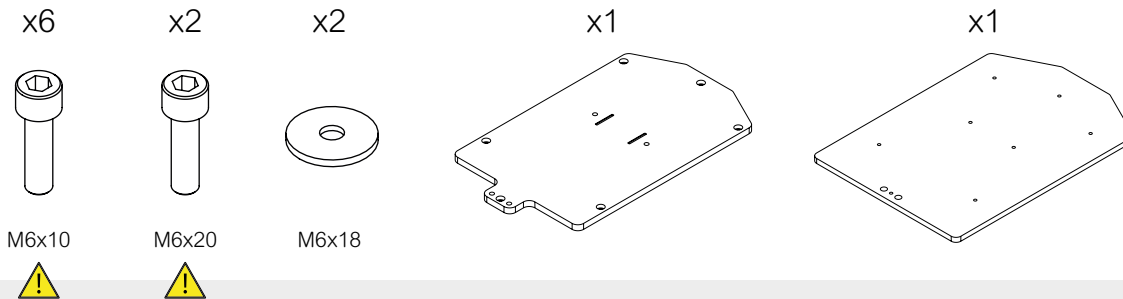
1. Put the STEP#17 upside down, place the washers and tight the four cap nuts left.
2. Manually screw the off-contact screw



Screen printing press PRINTING SURFACE



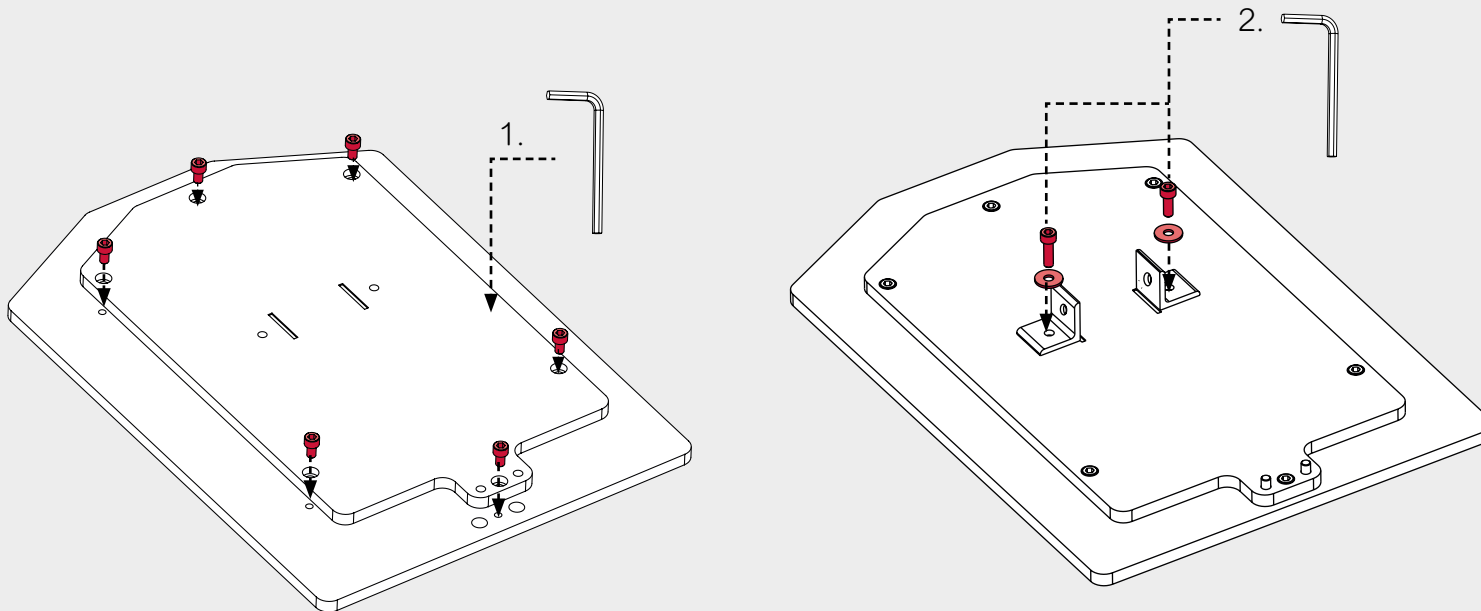
5mm



STEP #19

1. Place the smaller part over the bigger one. Once the holes are aligned, tighten the M6x10 screws
2. Place the two brackets and align them using the two guiding lines. Tighten the M6x20 screws **with the washers.**

TIP/ use the aluminium profile to verify the distance between the two brackets (6cm).

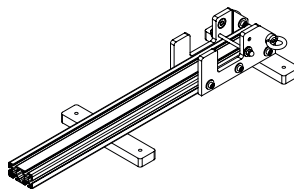


Screen printing press FINAL ASSEMBLY



5mm

STEP#7



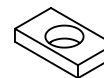
x2



M6x20

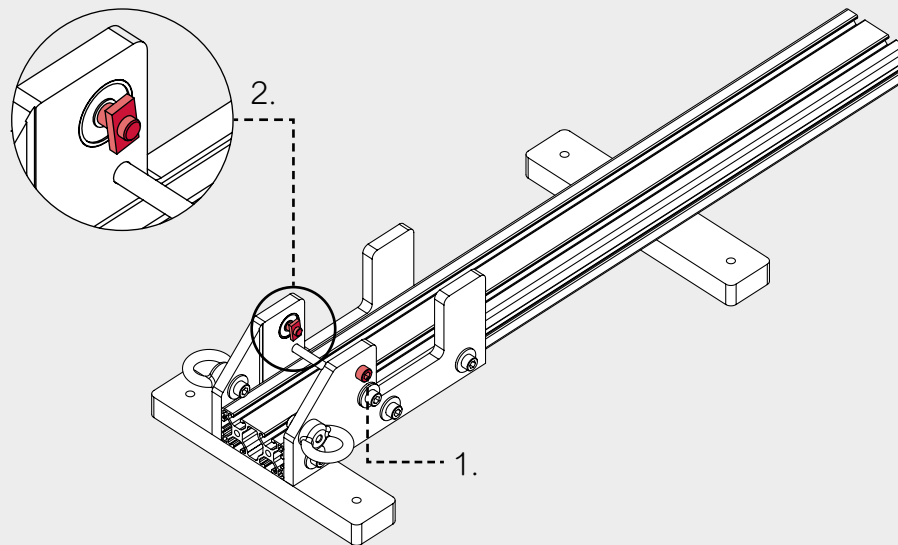


x2



STEP #20

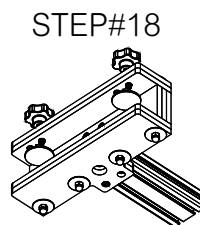
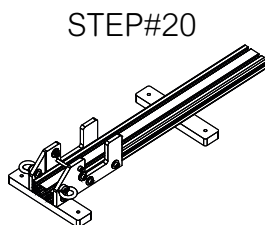
1. Place the two screws inside the last spare holes of the first part. (where you inserted the bearing at #STEP01)
2. Screw the rectangular nuts but do not tight them.



Screen printing press FINAL ASSEMBLY

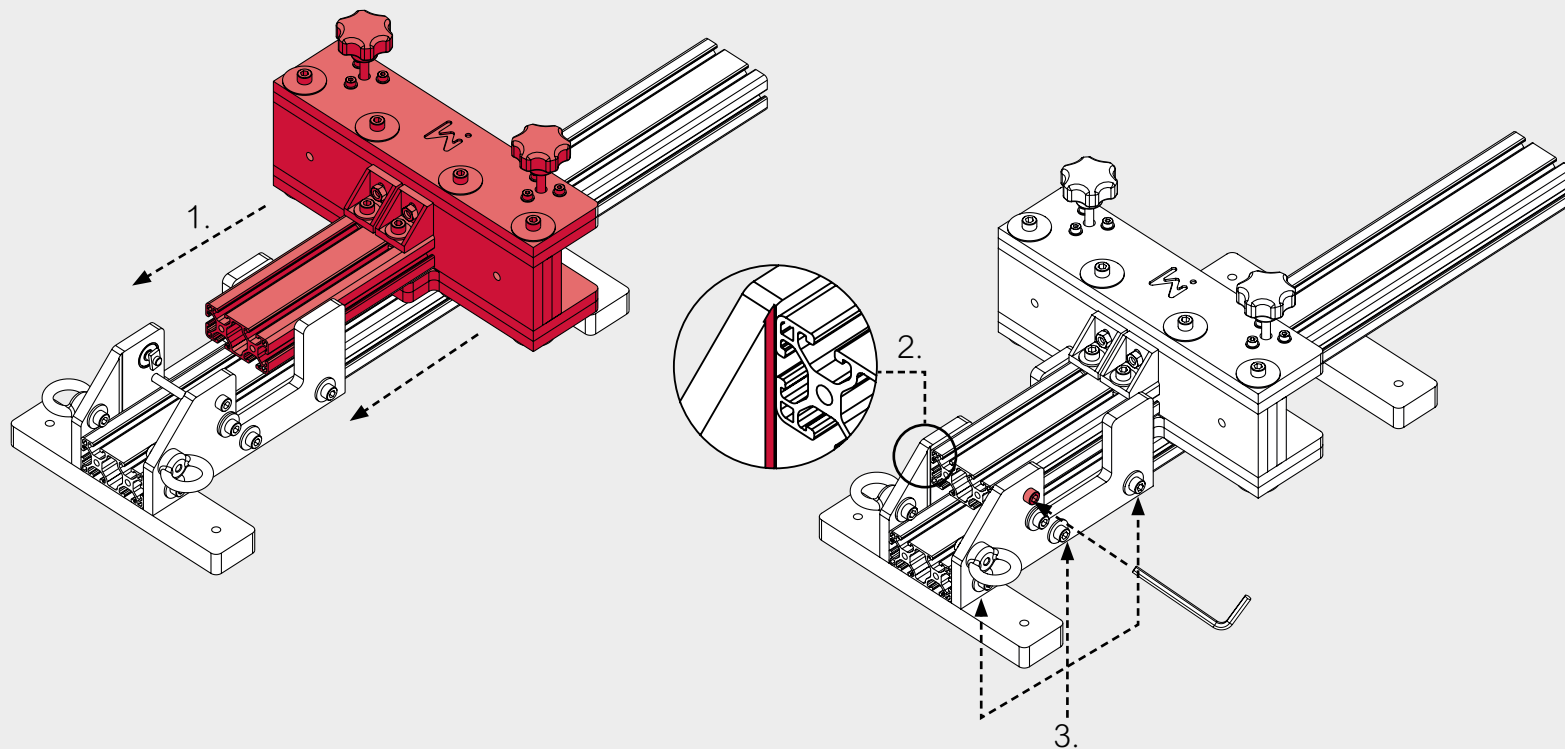


5mm



STEP #21

1. The idea of this step is to slide the **ARM** you built up few minutes ago on the two nuts you have just mounted
2. Once the aluminium profile is aligned with the red slot, tighten the screws.
*There are no washers with these screws
3. Tighten now the screws you placed on STEP#4



Screen printing press FINAL ASSEMBLY



5mm

x2



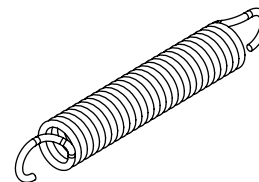
M6x40



x2

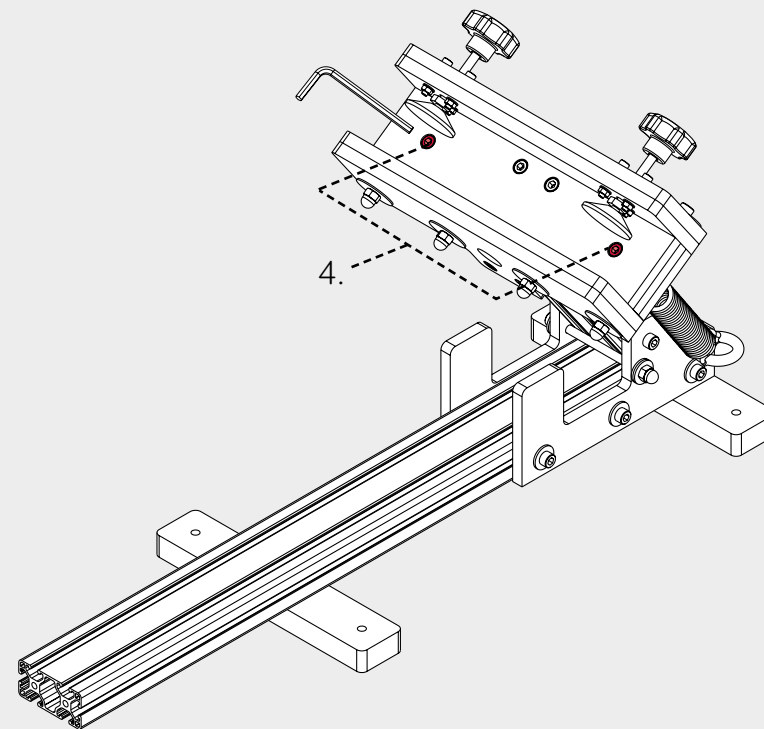
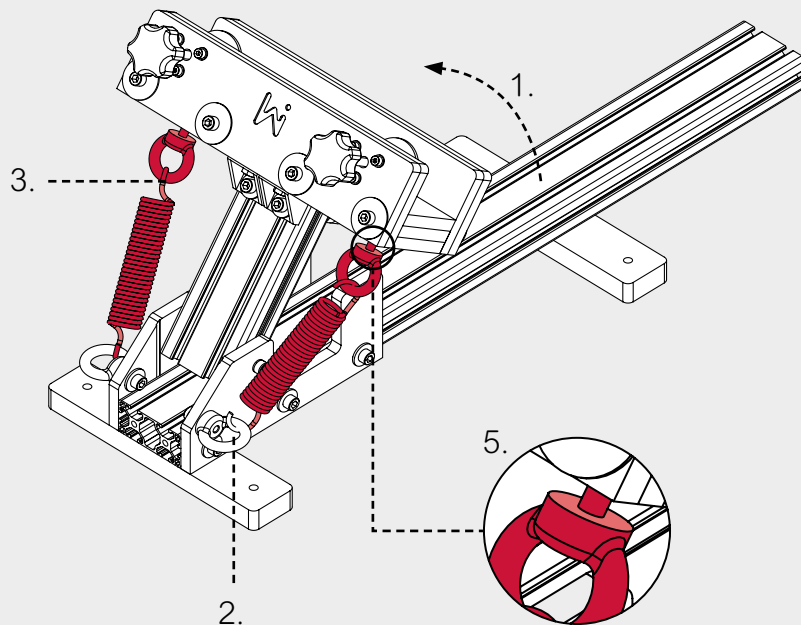


x2



STEP #22(the tricky one)

1. First, lift up the **ARM**
2. Attach the spring to the lower eye nuts first
3. Place the two eye nuts left on the other side of the springs
4. Place the two screws in the holes
5. You should now be able to reach the thread of the eye nuts with the screws, in this case, fully tighten them.

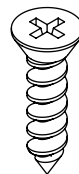


*If you can not reach the eye nuts with the screws :
-make sure the **ARM** is still up
-make sure you are using the M6x40 screws
- on STEP#22, Try to align the aluminium profile on the other edge of the guiding lines
-Try to pull on the spring
-Throw all the machine away^^

Screen printing press FINAL ASSEMBLY



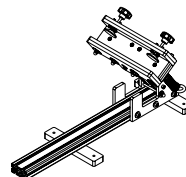
x4



4,5x40



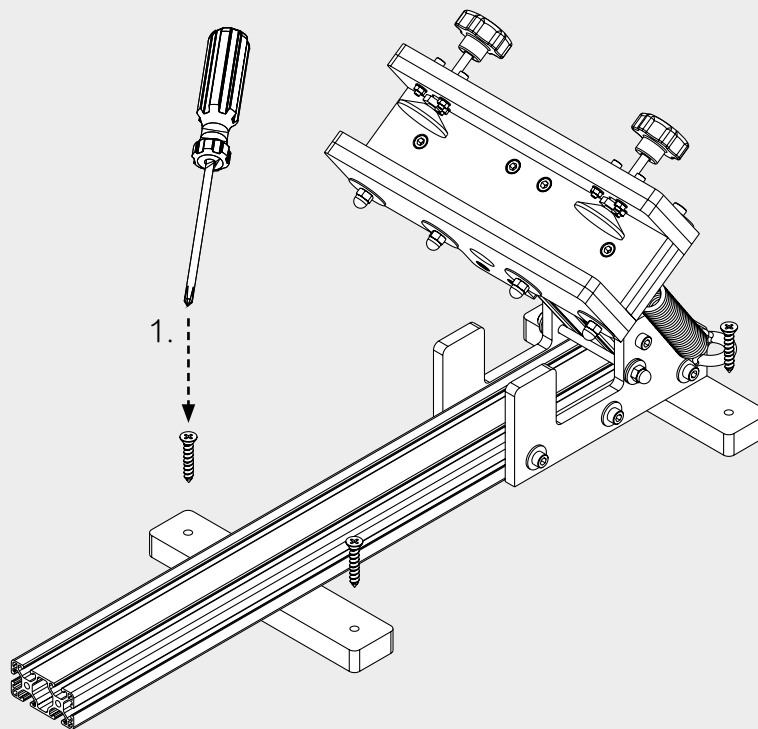
STEP#22



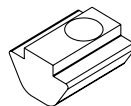
STEP #23

Before mounting the printing table, we recommend you to fix your screen printing press to your working area.

1. You can either fix it with the included wooden screws or either clamp it with your own tools.

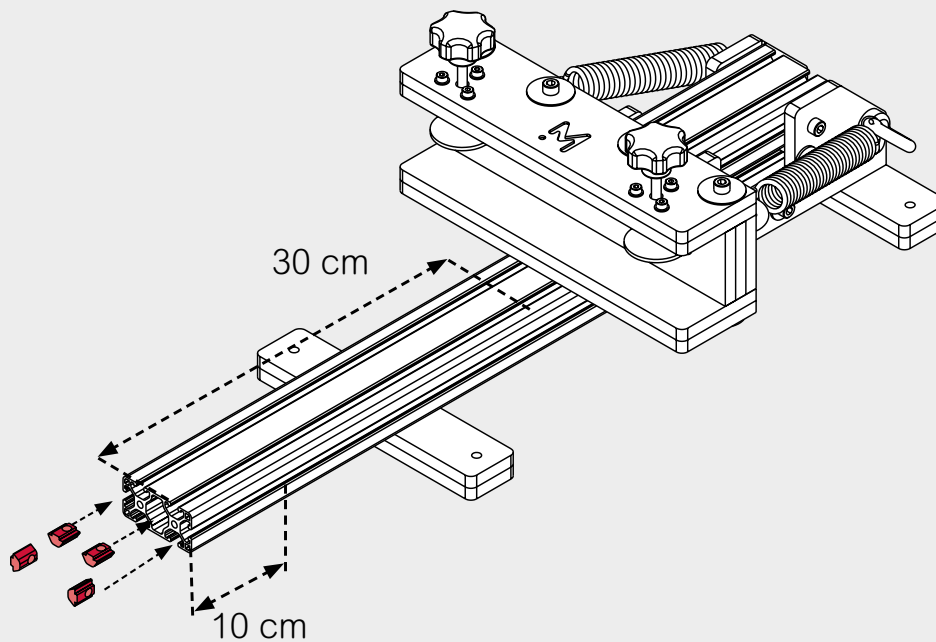


x4

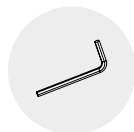


STEP #24

1. Slide the four guided nuts in the slots.
2. Place the two lateral nuts 10cm far from the front of the aluminium profile
3. Place the two upper nuts 30cm far from the front of the aluminium profile



Screen printing press FINAL ASSEMBLY



5mm

x2

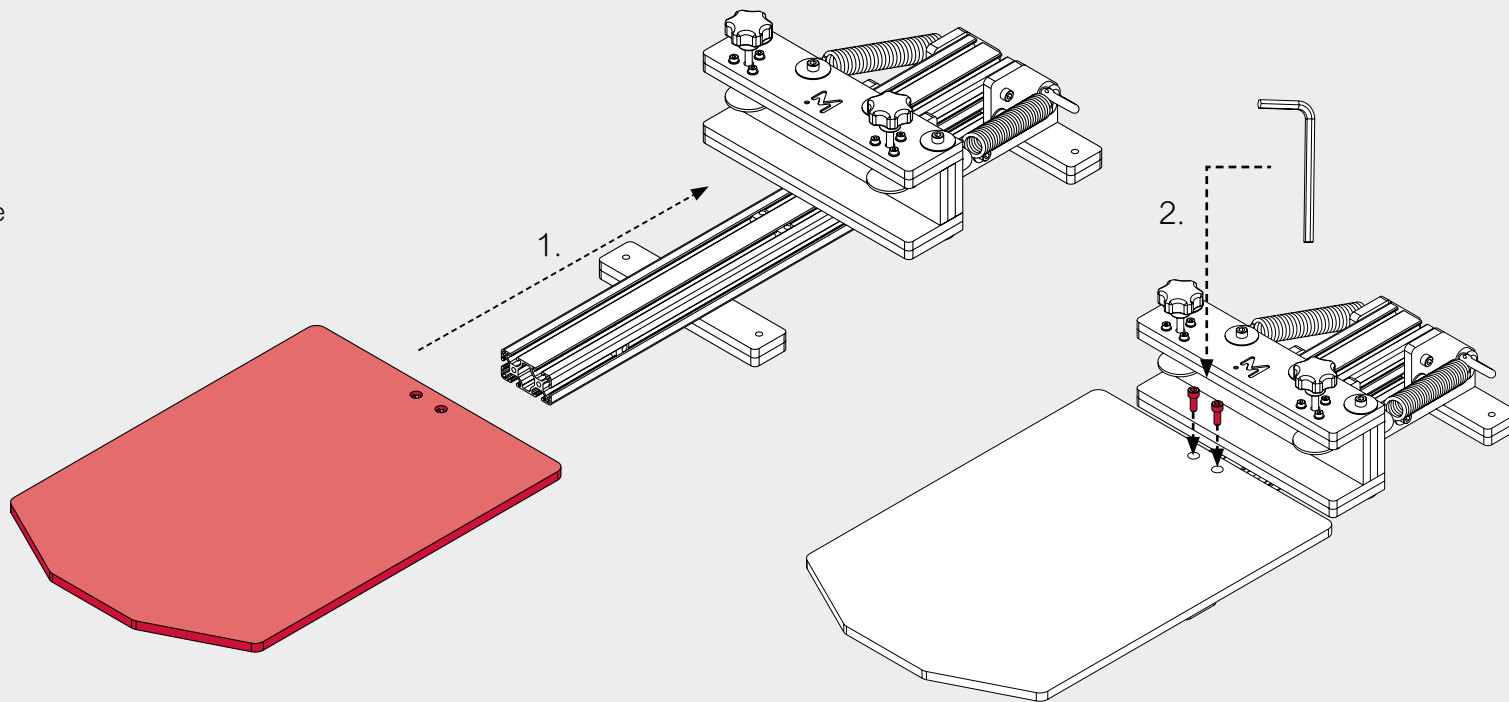


M6x16



STEP #25

1. Slide the printing surface on the aluminium profile.
2. Once the top holes are aligned with the nuts, place the two M6x16 screws but do NOT fully tighten them now.



Screen printing press BASE ASSEMBLY



5mm

x2

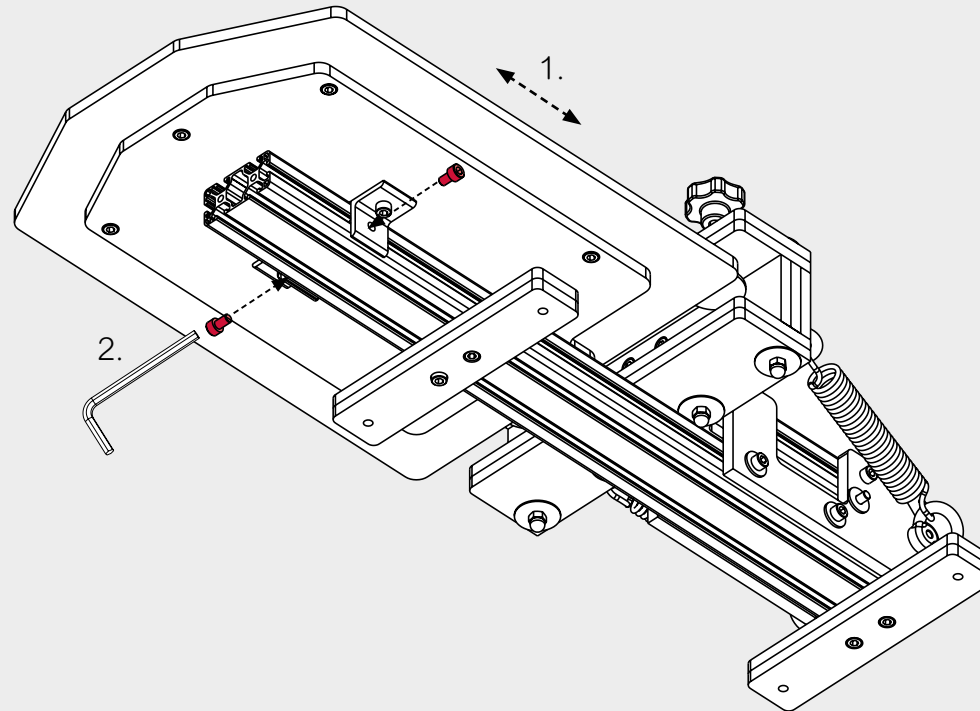


M6x10



STEP #26

1. If needed, slightly move the printing table the get the buckets aligned with the nuts.
2. Tighten the two M6x10 screws



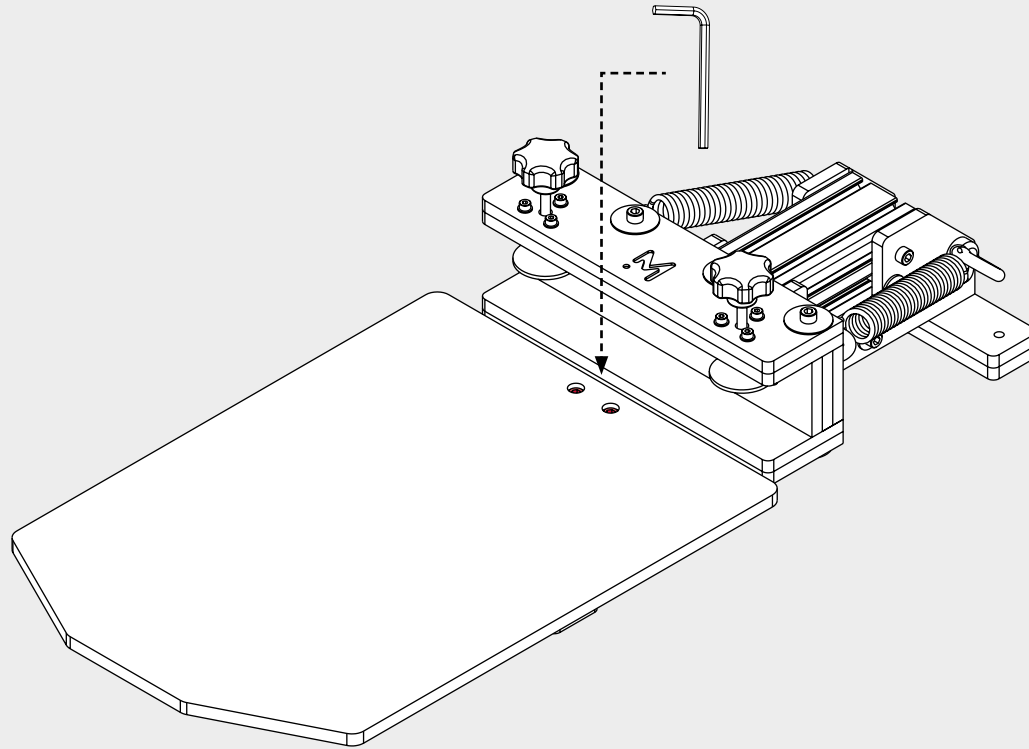
Screen printing press FINAL ASSEMBLY



5mm

STEP #27

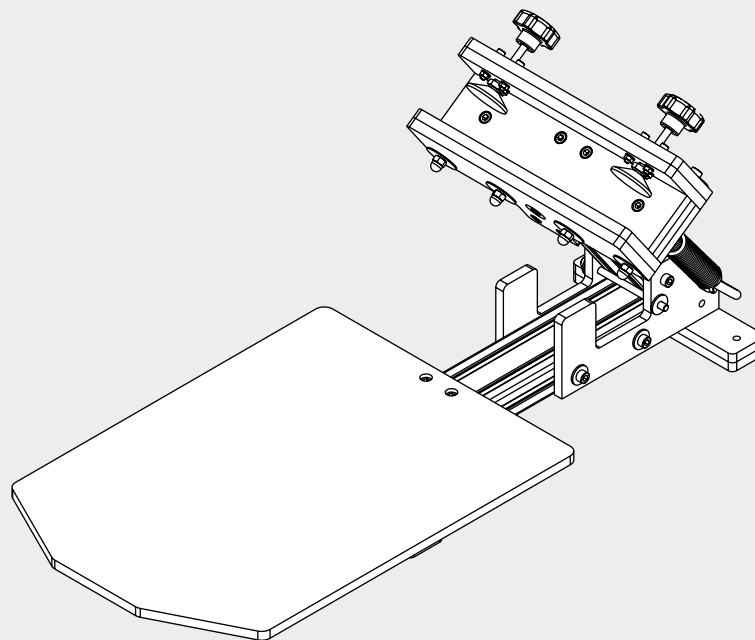
1. You can now fully tighten the top screws.



CONGRATULATIONS!

Good job! Your screen printing press is now ready to print dozens of T-shirts and tote bags. Do not hesitate to share the results of your prints on the social media and tag @mekanika.io

*Before your first print, check all the screws and tight them a bit more than usual. it will make your press stronger and more rigid.



We would love to hear back from you!

Your feedback is really important for us, it allows us to continuously improve our products and our logistics.

